



# CONTROLLERS

TECHNICAL DATA SHEET



# TIME LAG SWITCH



- Ideal for energy saving control of exterior heaters and exterior lighting. Also suitable for damp areas indoors. Adjustable 2 to 20 minutes
- Pressing the touch sensitive area brings the connected load on. The load is then switched off automatically after the time lag has elapsed
- Illuminated touch area for easy location in the dark. Tough, hard wearing, IP66 rated polycarbonate moulding



## Installation Procedure

1. Please read these notes carefully before commencing work. In case of doubt please consult a qualified electrician. Make sure the power is isolated from the circuit.

2. The TAN16AEXT should be connected as shown opposite.

L	Brown	Live in
N	Blue	Neutral in
SL	Orange	Switched line out
E	Yellow/green	Earth (two earth terminals are supplied)

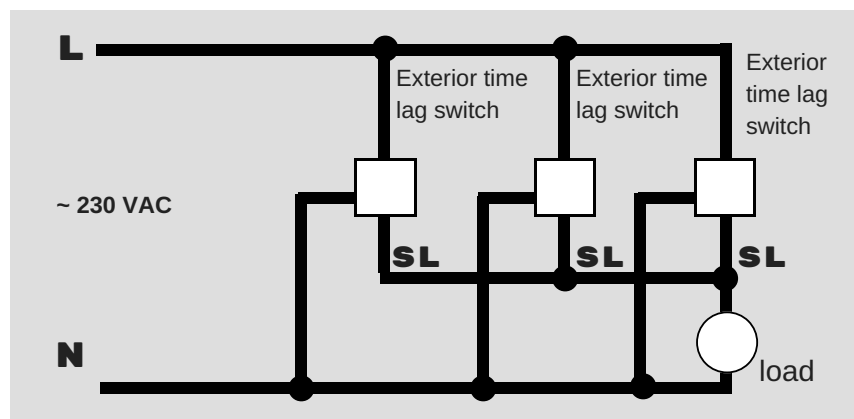
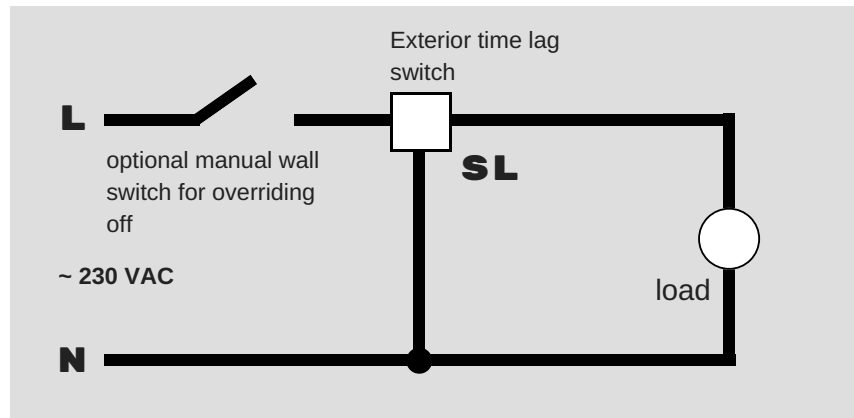
3. Typical wiring diagram is shown opposite.

4/ To ensure an IP66 rating, mount the enclosure using only the four fixing holes provided, use a circular cable of diameter 6-12mm, fit the seal provided into the groove within the enclosure lid. If the IP66 rating cannot be achieved then the drain-hole guide on the lower face of box should be carefully drilled through with 4mm drill to a maximum depth of 10mm, enabling IP54.

5. The time lag is adjusted via a spindle located within the product.

6. When wiring has been completed and verified, switch on supply and test operation.

7. The first time the TAN16AEXT is activated after the power has been restored to the unit, it will switch the load on for just 10 seconds.



Model/Code	Load at 230 Vac ~ 50/60Hz	Dimensions (mm)
TAN16AEXT	Maximum of 4000W	120 x 90 x 60mm

# 2.0kW RECEIVER



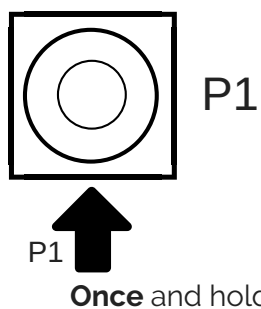
REMOTE HANDSET REQUIRED WITH ALL RECEIVERS

- Dimmer function: 4 pre-set levels (100% - 75% - 50% - OFF)
- Remote control with wireless transmitters and sensors
- Push-button input for manual controls



The memorised transmitter displays the programmed values:

- a) Push-button Ch1: 100%
- b) Push-button Ch2: 75%
- c) Push-button Ch3: 50%
- d) Push-button Ch4: OFF



Once and hold down

1- Press the push button **P1 once and hold** it down, the buzzer will make a beep each time and then sound continuously.



Preset Value:

- CH1: 100%
- CH2: 75%
- CH3: 50%
- CH4: OFF

2- During the sound press the push-button which has to be memorised; the memorization is indicated by the **intermittently** sound of the buzzer.

Model/Code	Load at 230 Vac ~ 50/60Hz	Dimensions (mm)
TAN2KWDIM	Maximum 2000W Heater	141 x 115 x 55

# 6.5kW RECEIVER



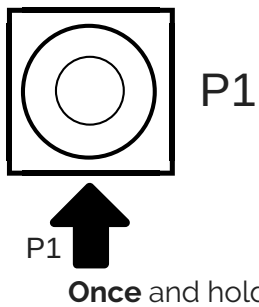
REMOTE HANDSET REQUIRED WITH ALL RECEIVERS

- Suitable for infrared and resistive heaters
- Controlled by transmitters or wired push-buttons with function ON/OFF and Dimming 0%-100%
- Controlled by wired or wireless movement sensors
- Automatic room temperature control- "Soft start": extending the lifetime of the Infrared Heaters



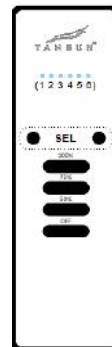
The memorised transmitter displays the programmed values:

- a) Push-button Ch1: 100%
- b) Push-button Ch2: 75%
- c) Push-button Ch3: 50%
- d) Push-button Ch4: OFF



Once and hold down

1- Press the push button **P1 two times and hold** it down, the buzzer will make one beep and then sound continuously.



Preset Value:

- CH1: 100%
- CH2: 75%
- CH3: 50%
- CH4: OFF

2- During the beep sound press a push button of the transmitter which **has to be memorised**; the memorization is indicated by the intermittent sound of the buzzer. All the push-buttons of the transmitter are automatically memorized with a preset configuration as in the above diagram.

Model/Code	Load at 230 Vac ~ 50/60Hz	Load at 230 Vac ~ 50/60Hz	Dimensions (mm)
TAN6.5KWDIM	one 6500W heater two 3200W heaters	one 3400W heater two 1700W heaters	195 x 200 x 75



## PRODUCT OVERVIEW

The Tansun 6 channel remote will allow 6 individual heaters/zones to be variable controlled. The remote can be configured to the receivers at the touch of a button, which makes it the most user friendly controller system on the market.



## TECHNICAL DATA

The transmitters are coded directly by the manufacturer with a different code for each transmitter.

## TECHNICAL SPECIFICATIONS

Carrier frequency 868.3MHz - Power supply 3V + 10% (lithium battery CR2430). Consumption when transmitting 10 mA - working temperature -10° +55°C.

The manufacturer reserves the right to change technical data and features without prior notice. Please contact Tansun directly for more information.

## CHANGING THE BATTERY

The transmitters are coded directly by the manufacturer with a different code for each transmitter.

- 1- Remove the screw on the back
- 2- Slide the two cases open
- 3- Take the old batteries out and replace with new ones. Pay attention to the correct (+/-)!
- 4- Close the transmitter and insert the screws

