



RIO GRANDE

TECHNICAL DATA SHEET



ADDS ELEGANCE

TO ANY ENVIRONMENT...

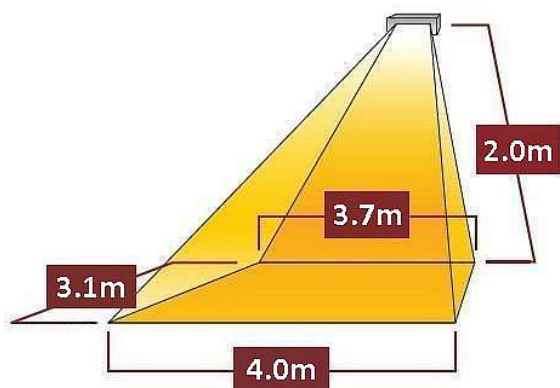
TANSUN PREMIUM INFRARED HEATER

The Rio Grande is a stylish infrared heater ideal for indoor or outdoor use. The Rio Grande is one of the elite members of the Tansun product range, adding elegance to our range of Infrared heaters. Primarily used in heating applications that include; alfresco dining, bars, smoking areas and terraces.

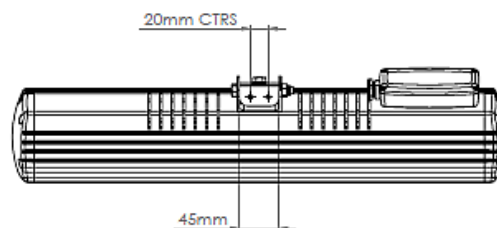
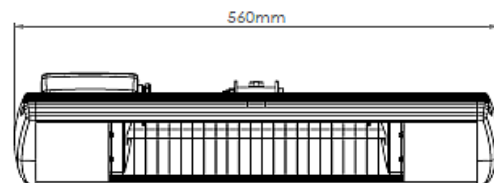
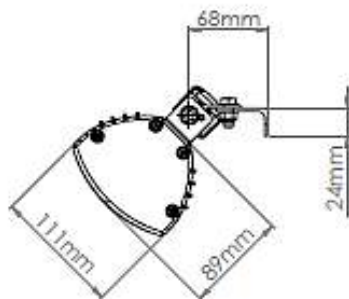


EFFICIENT AND RELIABLE HEATING SOLUTION

The Rio Grande is a fully weatherproof heater used in all seasons, and comes with a safety guard fitted as standard- this popular range of heater comes with a two year manufacturer's warranty.

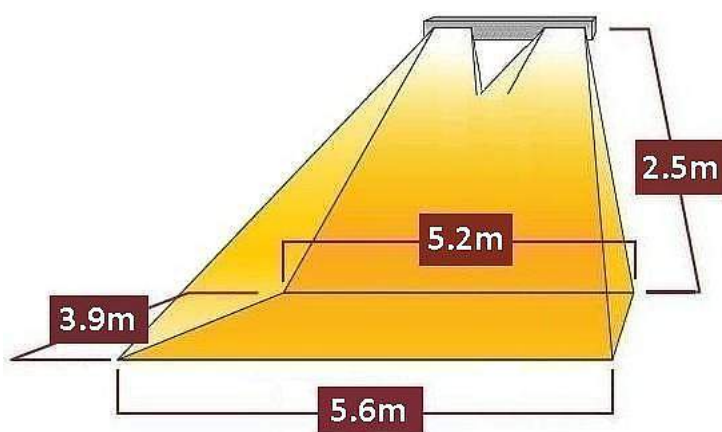
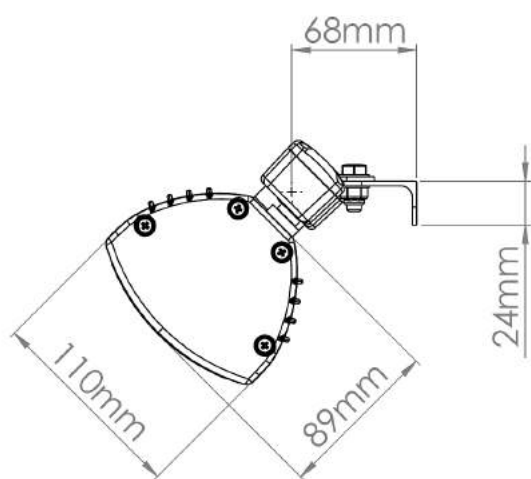


WALL MOUNTED AT 45 DEGREES

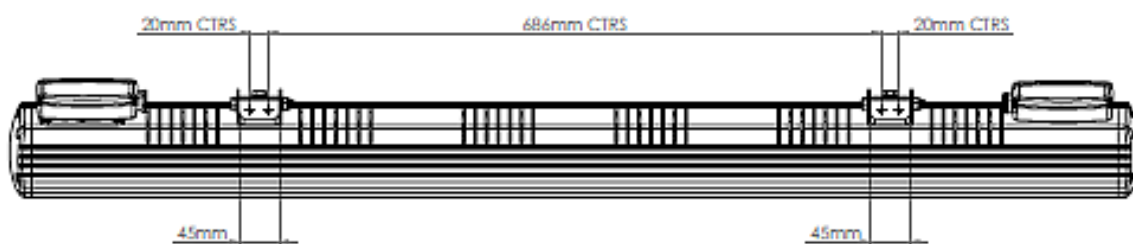
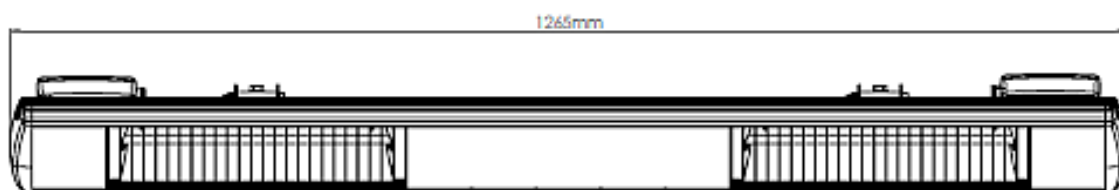


Model	Voltage (V)	Lamps x Power (kW)	Total Power (kW)	Minimum height from floor	Minimum distance from ceiling	Minimum distance from side wall	Weight without guard	Body Dimensions (W x H x D) (mm)
RIO 315	230	1 X 1.5	1.5	2.0m	0.3m	1m	2.8kg	560 x 110 x 89
RIO 320	230	1 X 2.0	2	2.0m	0.3m	1m	2.8kg	560 x 110 x 89

SAME STYLISH HEATER DOUBLE THE POWER...



WALL MOUNTED AT 45 DEGREES



Model	Voltage (V)	Lamps x Power (kW)	Total Power (kW)	Minimum height from floor	Minimum distance from ceiling	Minimum distance from side wall	Weight without guard	Body Dimensions (W x H x D) (mm)
RIO 315D	230	2 X 1.5	3	2.5m	0.5m	1m	6.0kg	1265 x 227 x 323



WALL MOUNTED ARM BRACKET

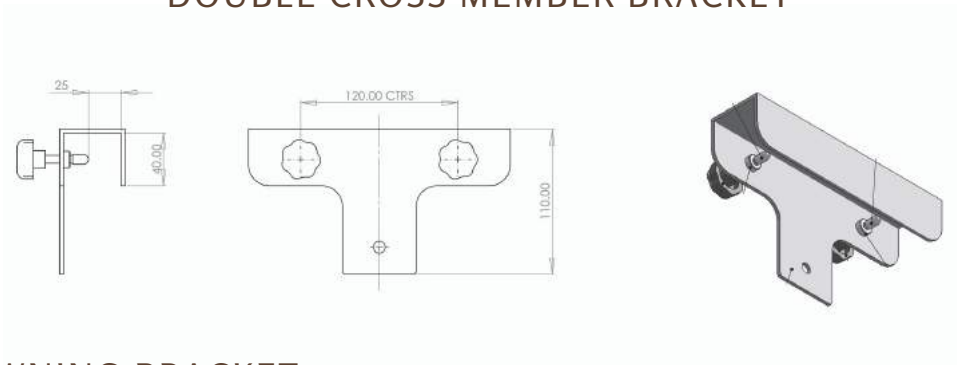
Tansun offer a full range of universal easy to install bracketry. These brackets not only allow flexibility at time of installation, but also enables Tansun heaters to be positioned correctly, to allow free air circulation around the heaters when fitted.

This prevents potential failures, whilst also eliminating discoloration to the fabric and combustible materials surrounding the heater.

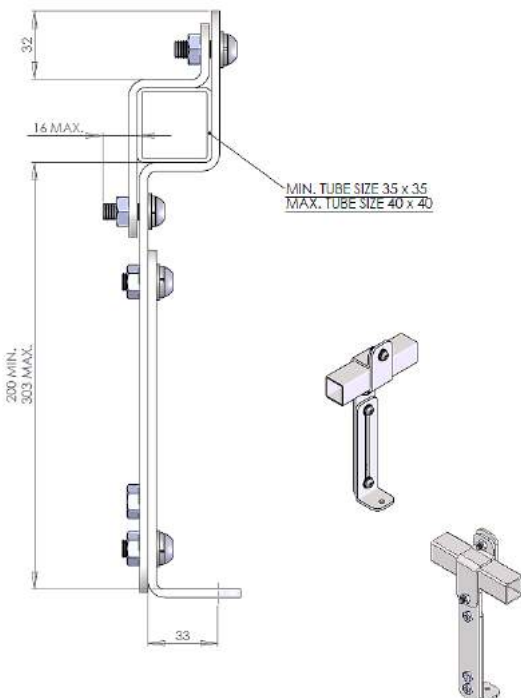
We offer a bespoke bracket design service, so sunshade manufacturers can add Tansun products into specific parasol/awning profiles, with ease.



DOUBLE CROSS MEMBER BRACKET



ADJUSTABLE AWNING BRACKET



BENEFITS

- Increases clearance behind/above heater
- Ideal for all types of sunshade product
- Available in any RAL colour option
- Suitable for temporary or permanent installation

RIO GRANDE INSTALLATIONS

