



SINGLE

# SORRENTO

TECHNICAL DATA SHEET



# OUTDOOR HEATING

## THAT WORKS...

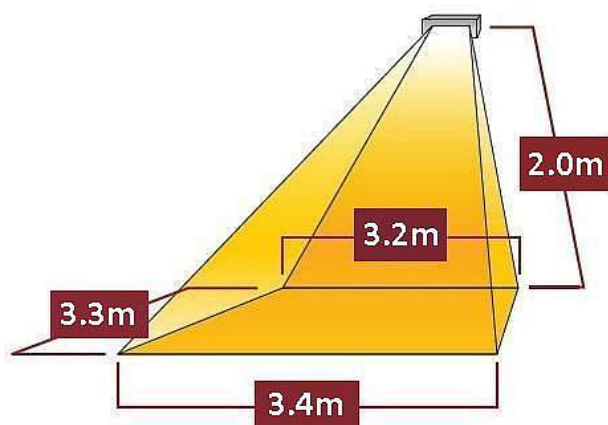
### FOR ROBUST COMMERCIAL USE

Discover the Sorrento Range of LOW GLARE, high powered heaters, that add elegance to any outdoor or indoor environment. Ideally used where more heat is required in larger areas. The Sorrento single can be mounted overhead providing flexibility at the time of installation and comes as standard with two wall mounting brackets.

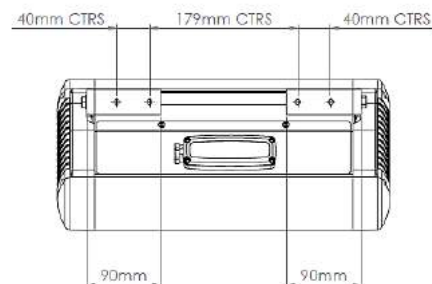
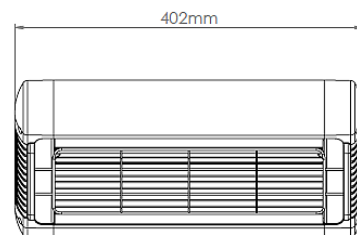
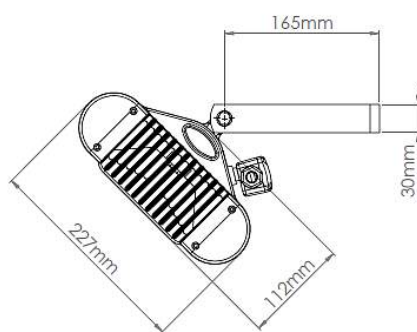


### FULL SHORTWAVE TECHNOLOGY

If you require outdoor heating then why settle for inferior, inefficient medium wave heaters? Tansun's FULL shortwave technology is the only way to heat cold spaces effectively.



WALL MOUNTED AT 45 DEGREES



Model	Voltage (V)	Lamps x Power (kW)	Total Power (kW)	Minimum height from floor	Minimum distance from ceiling	Minimum distance from side wall	Weight without guard	Body Dimensions (W x H x D) (mm)
SOR 215IP	230	1 X 1.5	1.5	2.0m	0.3m	1m	3.4kg	402 x 227 x 323
SOR 220IP	230	1 X 2.0	2	2.5m	0.3m	1m	3.4kg	402 x 227 x 323

# SORRENTO INSTALLATIONS

