



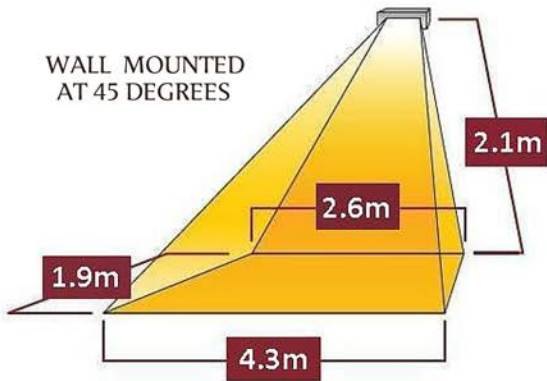
CERAMIC

SORRENTO

TECHNICAL DATA SHEET



HEAT WITHOUT GLASS OR LIGHT...



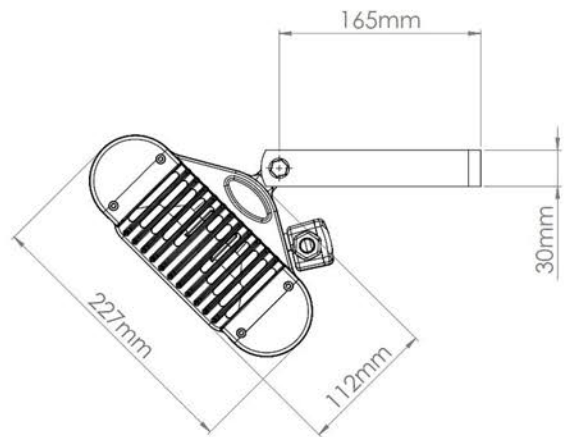
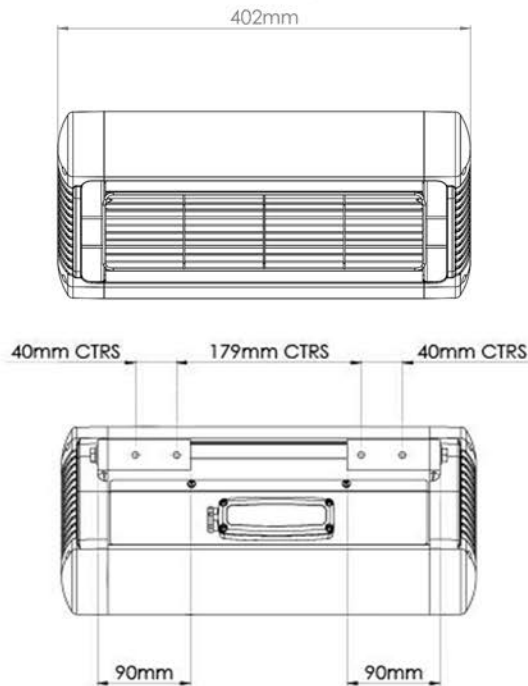
Heat Zone 5.7m²



Standard Colour

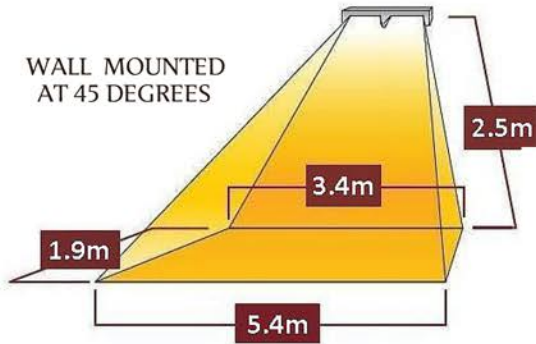
SINGLE SORRENTO CERAMIC

A member of the Sorrento family with zero light ceramic elements fitted, which gives off no visible light whatsoever. This range of ceramic heaters is especially useful in environments where additional light is not welcome.



Model	Voltage (V)	Lamps x Power (kW)	Total Power (kW)	Phase Supply (V)	Current per phase (A)	Minimum height from floor	Minimum distance from ceiling	Minimum distance from side wall	Weight without guard	Body Dimensions (W x H x D) (mm)
SOR 210C	230	1 x 1.0	1	1	4.3	2.1m	0.3m	1.5m	3.7kg	402 x 227 x 323
SOR 213C	230	1 x 1.3	1.3	1	5.7	2.1m	0.3m	1.5m	3.7kg	403 x 227 x 323

HEAT WITHOUT GLASS OR LIGHT...

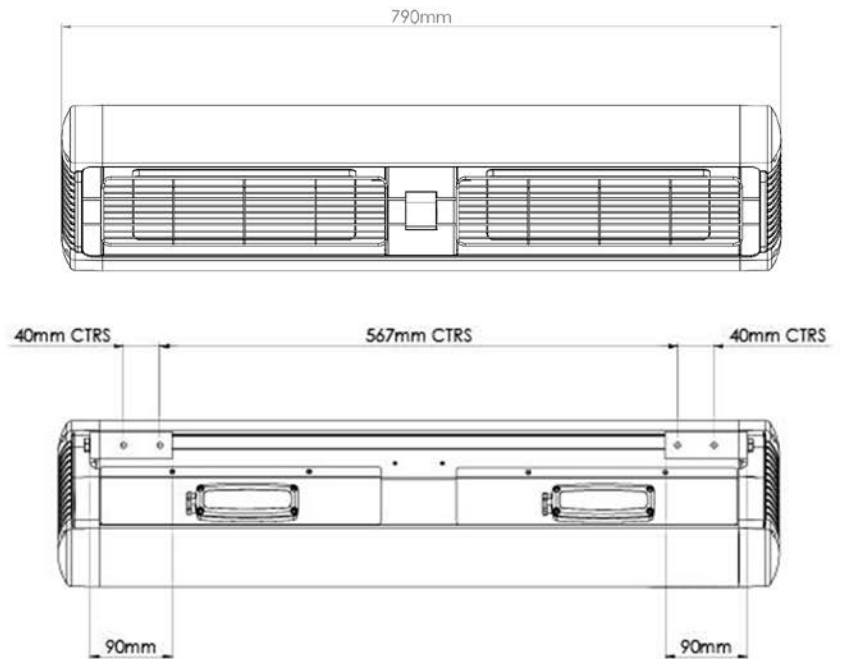
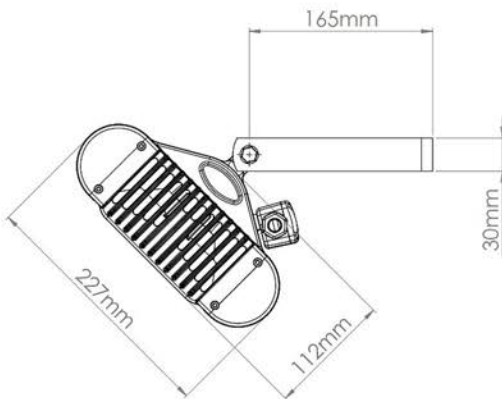


Heat Zone 8.4m²



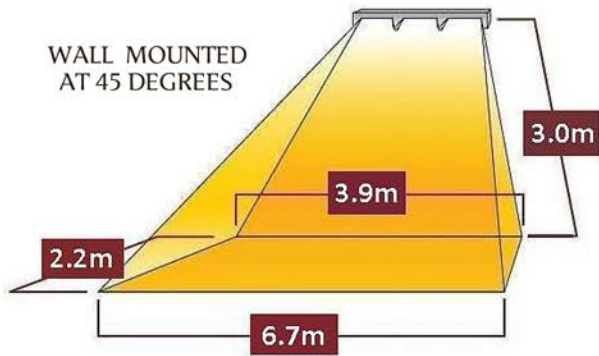
Standard Colour

DOUBLE SORRENTO CERAMIC



Model	Voltage (V)	Lamps x Power (kW)	Total Power (kW)	Phase Supply (V)	Current per phase (A)	Minimum height from floor	Minimum distance from ceiling	Minimum distance from side wall	Weight without guard	Body Dimensions (W x H x D) (mm)
SOR 210DC	230	2 x 1.0	2	1	8.7	2.5m	0.5m	1.5m	5.9kg	790 x 227 x 323
SOR 213DC	230	2 x 1.3	2.6	1	11.3	3.0m	0.5m	1.5m	5.9kg	790 x 227 x 323

HEAT WITHOUT GLASS OR LIGHT...

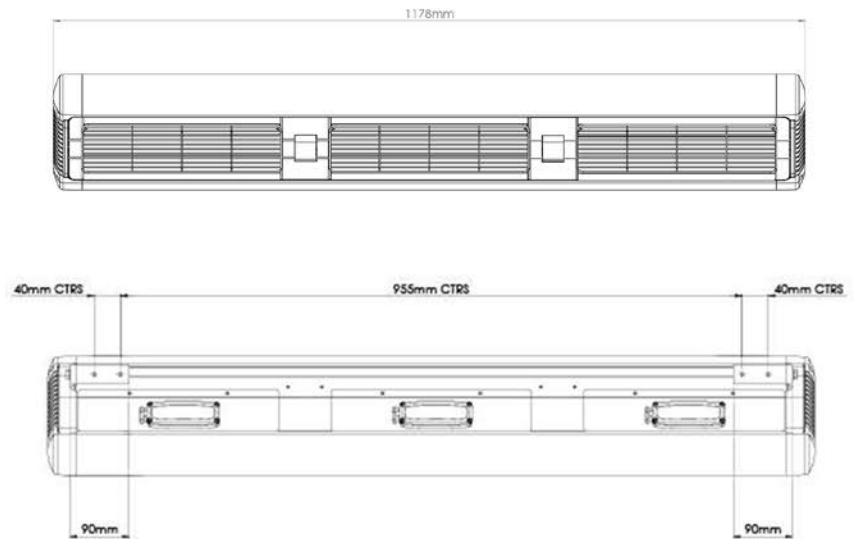
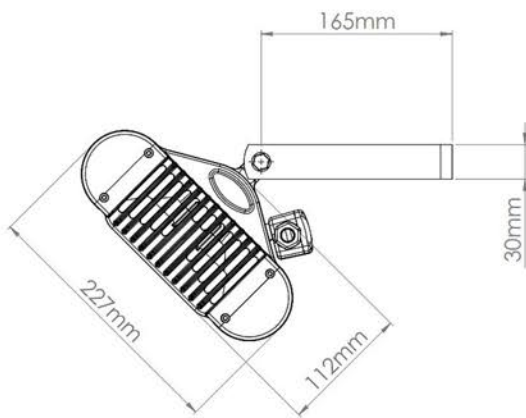


Heat Zone 12m²



Standard Colour

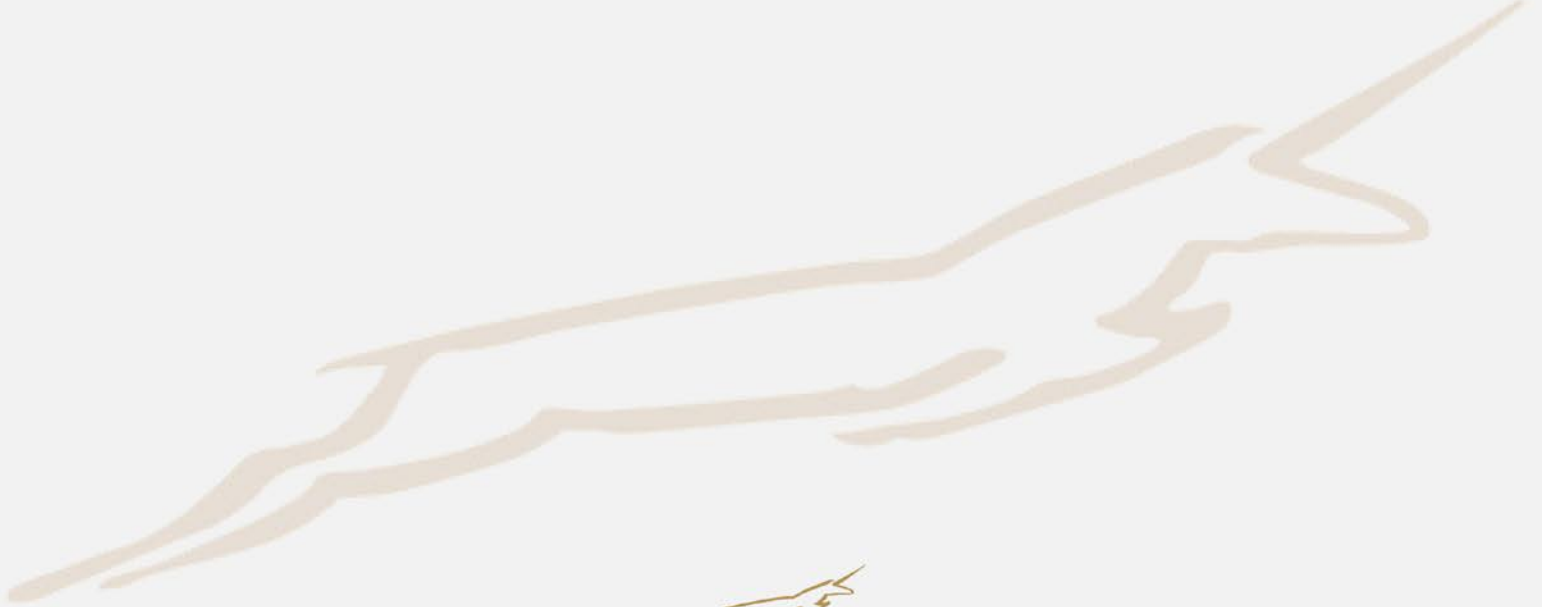
TRIPLE SORRENTO CERAMIC



Model	Voltage (V)	Lamps x Power (kW)	Total Power (kW)	Phase Supply (V)	Current per phase (A)	Minimum height from floor	Minimum distance from ceiling	Minimum distance from side wall	Weight without guard	Body Dimensions (W x H x D) (mm)
SOR 210TC	230	3 x 1.0	3	1	13	3m	0.5m	1.5m	8.3kg	1178 x 227 x 323
SOR 213TC	230	3 x 1.3	3.6	1	17	3.5m	0.5m	1.5m	8.3kg	1178 x 227 x 323

SORRENTO CERAMIC APPLICATIONS





Tansun Ltd
Spectrum House
Unit 1, Ridgacre Road
West Bromwich
West Midlands
B71 1BW

Tel: +44 (0) 121 580 6200

Fax: +44 (0) 121 580 6222

Website: www.tansun.com

Email: sales@tansun.com

*Coverage area will vary based on mounting height and angle of heater (overhead mounted heat zones will be different than this guide). This is a footprint of the total area covered but should be assumed that the surface temperature rise will decrease the further away from the source that is measured. Please use this as a guideline only and contact Tansun for a more detailed guide.